

INNOMEDIA

eUPS 1230

UNINTERRUPTIBLE POWER SUPPLY

The InnoMedia eUPS 1230 Uninterruptible Power Supply contains a 12V 30 Watts 9 Amp-Hour battery which allows service operators to ensure uninterrupted VoIP service in the event of a power failure. This offers unsurpassed reliability of service, and gives the end user the comfort of knowing that they can continue to make a call when a power outage occurs. The eUPS 1230 works seamlessly with all of InnoMedia's eMTA devices as well as any other device equipped with a compatible external battery input connector.

KEY BENEFITS

Seamless integration with any InnoMedia eMTA device

Up to 5 hours* of standby power on a full charge

Replaceable fuse to protect the UPS from short-circuits

Packetcable-compliant telemetry signals for remote battery status monitoring

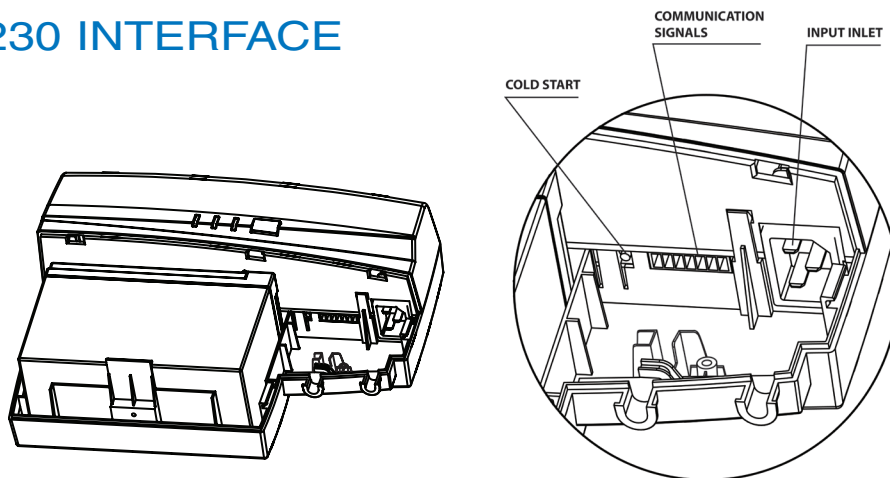
Includes telemetry cable and stackable power supply cord.



eUPS 1230

** Actual time varies with the device used*

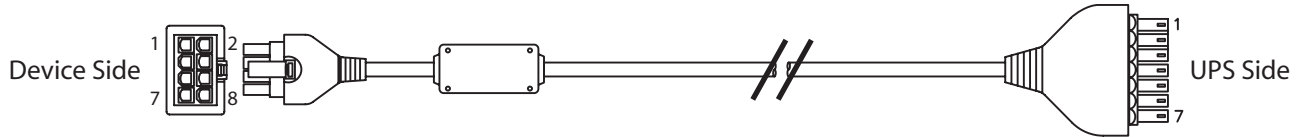
eUPS 1230 INTERFACE



Use the cold start feature to apply battery power to the connected equipment when the UPS is off and there is no AC power. The battery must be charged for the cold start feature to work. The cold start feature can turn the UPS battery off when there is no AC power, thus saving the battery life. When AC power is ON, the UPS will automatically turn on and may go into backup mode in the event of a power failure.



COMMUNICATION SIGNAL INTERFACE



Device Side

- Pin 1: +12V
- Pin 2: 12V Return
- Pin 3: AC Failure
- Pin 4: Replace Battery
- Pin 5: Missing Battery
- Pin 6: Low Battery
- Pin 7: Signal Return

UPS Side

- Pin 1: +12V
- Pin 2: 12V Return
- Pin 3: Signal Return
- Pin 4: AC Failure
- Pin 5: Replace Battery
- Pin 6: Missing Battery
- Pin 7: Low Battery

The telemetry Signal interface allows the eUPS 1230 to output information regarding the health of the UPS. Pins 4, 5, 6, and 7 on the UPS side provide the necessary telemetry signals as defined by PacketCable.

- Vo+ : +Voltage output
- Vo- : -Voltage output
- SIG RTN : Signal Return
- ON BATT : Low when operating from utility line. Open when operating from battery.
- REPLACE BATT : Low when battery is charged. Open when battery fails the Self Test which is conducted once a month.
- BATT MISSING : Low when battery is present. Open when battery is missing. Signal updated once every 10 secs.
- LOW BATT : Low when battery is near full charge capacity. Open when operating from a battery with < 20% capacity.

eUPS 1230 STATUS INDICATORS



Green indicates the UPS is on utility (AC) power



Red indicates the UPS is in fault Fault



Yellow indicates the UPS is on battery power



Silence Switch for Buzzer Enable/Disable

SPECIFICATIONS

INPUT	Nominal input voltage	120Vac
	Acceptable Input Voltage Range	85-270Vac
	Acceptable Input frequency Range	45Hz~65Hz
	Inlet	IEC inlet
OUTPUT	Output power (max)	30W
	Normal Output Power	26.4W (12V x 2.2A)
	Normal Voltage	12Vdc
	Output Voltage Range	10.5V~13.8V
	Output Transfer Time	0 millisecond
	Line Mode Efficiency	> 80%
	Output Protection	Replaceable 10A fuse (with fuse holder soldered on PCB)

SPECIFICATIONS cont.

BATTERY	Type/Rating	12V/9Ah x 1pc
	Discharge Prevention	10.5V \pm 0.5V
	Rated Charging Voltage	13.7V \pm 0.25V
	Recharge Time (internal battery)	4 hours to 90% without load after complete discharge
	Charge Current	2.5A when battery voltage low and no load
	Hot Swappable Battery	Yes
INDICATOR	AC mode	Green LED Lighting
	Backup mode	Yellow LED Lighting
	Battery low	Yellow LED Flashing
	Battery replace	Red LED Flashing
	Battery missing	Red LED Lighting
	Fault	Red LED Lighting
	Battery self-test*	Green LED flashing
AUDIBLE ALARM	Backup mode	Sounding every 5 seconds
	Battery low	Sounding every 1 second
	Battery replace	Sounding every 2 seconds
	Battery missing	Continuous sounding
	Fault	Continuous sounding
PHYSICAL SPECIFICATION	Weight of unit	7.72lbs (3.5kg)
	Depth x Width x Height of unit	9.45in x 7.09in x 3.15in (240mm x 180mm x 80mm)
OPERATING ENVIRONMENT	Operating temperature	32°F to 104°F (0°C to 40°C)
	Operating humidity	0% to 90%
	Operating Elevation	0 to 9842.52ft (0 to 3000m)
CERTIFICATION	FCC/UL Approved, IEC6100-4-5 Tested	

* Occurs on initial AC power on and every 30 days thereafter

WWW.INNOMEDIA.COM

InnoMedia Pte Ltd.

10 Science Park Road #03-04
The Alpha, Singapore Science Park II, SINGAPORE 117684
Tel: (65) 6872 0828; Fax: (65) 6872 0900

InnoMedia Technology Inc.

3F, No. 3, Industrial East Road IX
Hsinchu Science-Based Industrial Park, Hsinchu TAIWAN 300
Tel: (886) 3 564 1299; Fax: (886) 3 564 1589

InnoMedia, Inc.

1901 McCarthy Boulevard, Suite 200
Milpitas, CA 95035 USA
Tel: (408) 432-5400; Fax: (408) 941-8152

InnoMedia, Inc.

Suite 1204, Tower B, COFCO Plaza
No. 8 Jianguomennei Avenue
Beijing 100005 CHINA
Ph: (86) 10 65261186 Fax: (86) 10 65261189

© 2011 InnoMedia Inc. All rights reserved. InnoMedia and the InnoMedia logo are trademarks of InnoMedia Inc. PacketCable is a trademark of Cable Television Laboratories, Inc. All other brand and product names may be trademarks of their respective companies. Specifications subject to change without notice.

v1.3 05/11

